



# Reflective Solutions

Truck & Trailer - School Bus - Rail - Agriculture - Emergency  
Police - Fire - Construction - Automotive - Marine



**Reflexite®**

Engineered to Save Lives™



Safety

Visibility

Performance

Day or Night, Weather or Not –  
ORAFOL provides reflective solutions worldwide  
that enhance visibility and save lives.

**Reflexite®**

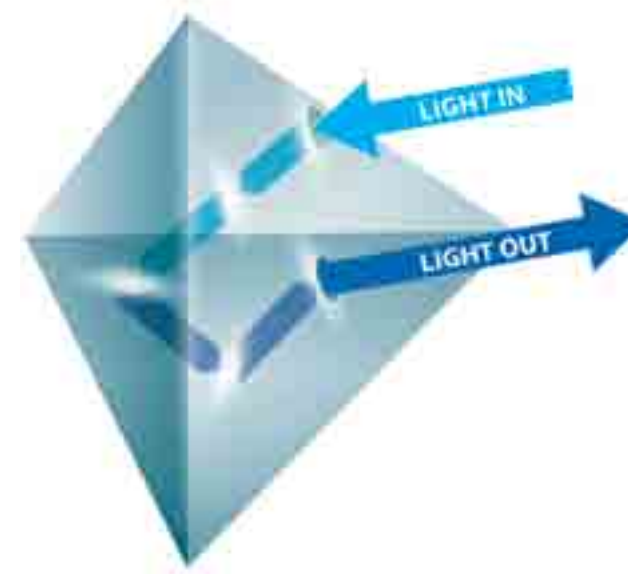
Reflexite® conspicuity tape has a tough, durable construction to ensure you meet conspicuity regulations and standards while improving the safety of fleet operators and fellow drivers.

# Technology, Quality & Service

## Engineered to Save Lives™

As one of the world's leading manufacturers of reflective materials, the ORAFOL Group earned its reputation for global excellence through its dedication to ingenuity, quality and service. When it comes to supplying products for the transportation industry, we work each day with a dedication grounded by our knowledge that the quality of our products helps to save lives.

## Microprismatic Technology Featured in Reflexite® conspicuity products



### How it works:

Light strikes each of the three surfaces of the microprism before returning to the source. The microprism provides more reflective surface area than a glass bead and will reflect up to 250% more light.

The microprism's economical use of surface area delivers a higher level of performance in all applications, which results in superior long distance visibility of the vehicle and greater awareness by the motoring public.

# Reflexite® V82 OEM Grade

Microprismatic Conspicuity Tape

**Product benefits include:**

- High performance polyester film
- Thin & flexible
- Weather resistant
- Compliance to FMVSS 108, DOT-C2
- Maintains reflectivity after impact
- Exceeds requirements by 200%



Product Code	Color Range	Sizes	Warranty
18686	11" Red/7" White	2" x 150' roll	10 year
18692	6" Red/6" White	2" x 150' roll	10 year
18676	White	2" x 150' roll	10 year
18352	11" Red/7" White	2" x 18" strip	10 year
18359	6" Red/6" White	2" x 12" strip	10 year
18347	White	2" x 12" strip	10 year
18349	White	2" x 24" crescent tanker strip	10 year

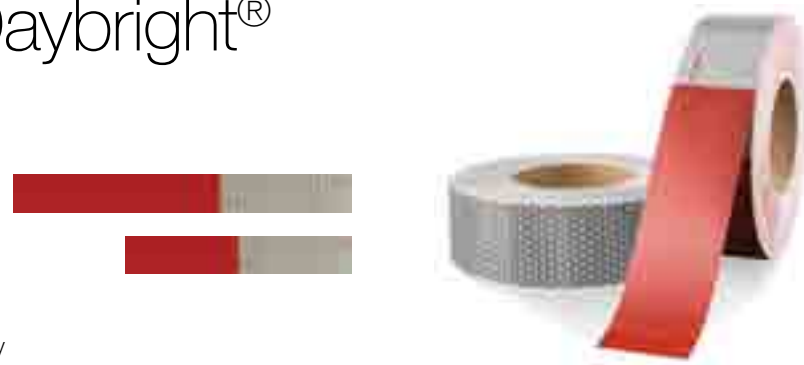
Ideal for trucks, trailers, tankers, dump trucks, tow trucks, pick up beds

# Reflexite® V92 Daybright®

Microprismatic Conspicuity Tape

**Product benefits include:**

- High performance polyester film
- Thin & flexible
- Weather resistant
- Compliance to FMVSS 108, DOT-C2
- Maintains reflectivity after impact
- White lines in pattern for maximum daytime visibility



Product Code	Color Range	Sizes	Warranty
18806	11" Red/7" White	2" x 150' roll	5 year
18816	6" Red/6" White	2" x 150' roll	5 year
18796	White	2" x 150' roll	5 year
18382	11" Red/7" White	2" x 18" strip, 100 pk	5 year
18381*	11" Red/7" White	2" x 18" strip, 25 pk	5 year
19567*	11" Red/7" White	2" x 18" strip, 5 pk	5 year
18385	6" Red/6" White	2" x 12" strip, 100 pk	5 year
19569*	6" Red/6" White	2" x 12" strip, 5 pk	5 year
18379	White	2" x 12" strip, 100 pk	5 year
18378	White	2" x 12" strip, 25 pk	5 year
19568*	White	2" x 12" strip, 5 pk	5 year

\*Retail polybags with hanghole

Ideal for trucks, trailers, tankers, dump trucks, tow trucks, pick up beds

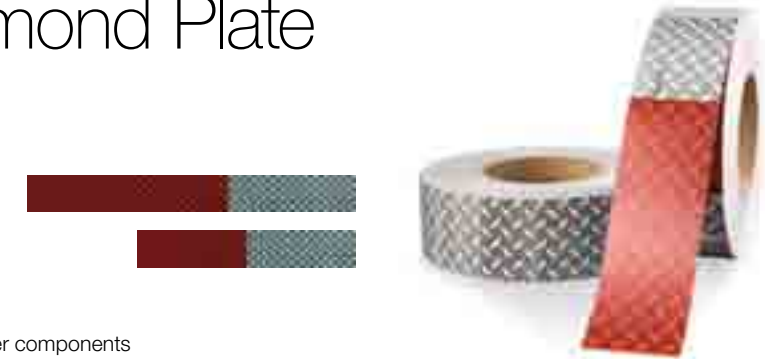


# Reflexite® V52 Diamond Plate

Microprismatic Conspicuity Tape

**Product benefits include:**

- High performance polyester film
- Thin & flexible
- Weather resistant
- Compliance to FMVSS 108, DOT-C2
- Maintains reflectivity after impact
- Distinctive diamond plate design compliments truck & trailer components



Product Code	Color Range	Sizes	Warranty
18626	11" Red/7" White	2" x 150' roll	5 year
18629	6" Red/6" White	2" x 150' roll	5 year
18622	White	2" x 150' roll	5 year
18397	11" Red/7" White	2" x 18" strip	5 year
18398	6" Red/6" White	2" x 12" strip	5 year
18396	White	2" x 12" strip	5 year

Ideal for trucks, trailers, tankers, dump trucks, tow trucks, pick up beds

# Reflexite® V42 Retro Fit Grade

Microprismatic Conspicuity Tape

**Product benefits include:**

- Polyester film
- Thin & flexible
- Weather resistant
- Compliance to FMVSS 108, DOT-C2
- Cost effective solutions for retrofitting existing trucks and trailers



Product Code	Color Range	Sizes	Warranty
19160	11" Red/7" White	2" x 150' roll	3 year

Ideal for trucks, trailers, tankers, dump trucks, tow trucks, pick up beds

# Reflexite® Custom Logo

Microprismatic Conspicuity Tape

**Product benefits include:**

- High performance polyester film
- Thin & flexible
- Weather resistant
- Compliance to FMVSS 108, DOT-C2
- Maintains reflectivity after impact
- Enhances brand image



Product Code	Color Range	Sizes	Warranty
L82	11" Red/7" White, 6" Red/6" White	2" x 150' roll	10 year
L92	11" Red/7" White, 6" Red/6" White	2" x 150' roll	5 year
L52	11" Red/7" White, 6" Red/6" White	2" x 150' roll	5 year

\*105 roll minimum requirement, call for details

Ideal for trucks, trailers, tankers, dump trucks, tow trucks, pick up beds

Truck & Trailer

Truck & Trailer

# Reflexite® V82 School Bus

Microprismatic Conspicuity Tape



**Product benefits include:**

- High performance polyester film
- Thin & flexible
- Weather resistant
- Compliance to FMVSS 131 & FMVSS 217
- Maintains reflectivity after impact
- Exceeds requirements by 200%

Product Code	Color Range	Sizes	Warranty
18672	School Bus Yellow	2" x 150' roll	10 year
18670	School Bus Yellow	1" x 150' roll	10 year

Ideal for marking school bus exits, windows, hatches & perimeters

# Reflexite® V92 Daybright® School Bus

Microprismatic Conspicuity Tape



**Product benefits include:**

- High performance polyester film
- Thin & flexible
- Weather resistant
- Compliance to FMVSS 131 & FMVSS 217
- Maintains reflectivity after impact
- White lines in pattern for maximum daytime visibility

Product Code	Color Range	Sizes	Warranty
18786	School Bus Yellow	2" x 150' roll	5 year
18781	School Bus Yellow	1" x 150' roll	5 year

Ideal for marking school bus exits, windows, hatches & perimeters

# Reflexite® School Bus Signs

Microprismatic Conspicuity Tape



**Product benefits include:**

- High performance polyester film
- Thin & flexible
- Weather resistant
- Compliance to FMVSS 131 & FMVSS 217
- Maintains reflectivity after impact

Product Code	Color Range	Sizes	Warranty
Call for specifications	School Bus Yellow	Sheet	5 or 10 year

Ideal for front and rear of school bus



# Reflexite® Agricultural Strips & Circles

Microprismatic Conspicuity Tape



**Product benefits include:**

- High performance polyester film
- Thin & flexible
- Weather resistant
- Compliance to ANSI/SAE S276.7 standards
- Maintains reflectivity after impact
- Pre-cut strips with radius or square corners

Product Code	Color Range	Sizes	Warranty
18327	V82 Red, radius corners	2" x 9" strip	10 year
18366	V92 Yellow, radius corners	2" x 9" strip	5 year
18322	V82 Red, square corners	2" x 9" strip	10 year
18342	V92 Yellow, square corners	2" x 9" strip	5 year
18371	V82 Red, circle	3.12" circle	10 year
18375	V92 Yellow, circle	3.12" circle	5 year

Ideal for heavy equipment, farm machinery, agricultural and industrial vehicles

# Reflexite® Construction Equipment Marking

Microprismatic Conspicuity Tape



**Product benefits include:**

- High performance polyester film
- Thin & flexible
- Weather resistant
- Maintains reflectivity after impact

Product Code	Color Range	Sizes	Warranty
18672	V82 Yellow 44	2" x 150' roll	10 year
18786	V92 Yellow 44	2" x 150' roll	5 year
18342	V92 Yellow, square corners	2" x 9" strip	5 year
18375	V92 Yellow, circle	3.12" circle	5 year

Ideal for construction vehicles & equipment



# Reflexite® R99 Rail

Microprismatic Conspicuity Tape

**Product benefits include:**

- High performance polyester film
- Thin & flexible
- Weather resistant
- Compliance to FRA 224
- Maintains reflectivity after impact
- Adheres easily to flat or curved surfaces



Product Code	Color Range	Sizes	Warranty
18609	Yellow	4" x 150' roll	10 year
18607	White	4" x 150' roll	10 year
18454	Yellow	4" x 18" strip	10 year
18455	Yellow	4" x 36" strip	10 year

Ideal for marking sides of rail car

# Reflexite® Gate Arm

Microprismatic Conspicuity Tape

**Product benefits include:**

- High performance polyester film
- Thin & flexible
- Weather resistant
- Maintains reflectivity after impact



Product Code	Color Range	Sizes	Warranty
18991	V82 Red/White Block	4" x 150' roll	10 year
18897	V82 Red/White Block	2" x 150' roll	10 year
18852	V99 Red/White Diagonal RH	4" x 150' roll	5 year
18849	V99 Red/White Diagonal LH	4" x 150' roll	5 year

Ideal for rail gate arm markings



# Reflexite® V98 Conformable Graphic Sheeting

Conformable Microprismatic Sheeting

**Product benefits include:**

- High performance vinyl film
- Thin & flexible
- Weather resistant
- Maintains reflectivity after impact
- Conforms to vehicle shapes and curves



Product Code	Color Range	Sizes	Warranty
Call for specifications	White, Yellow 18, Red, Green, Blue, Orange, Amber, Yellow 44	Master roll can be slit to a variety of widths (Master roll is 30" x 150')	5 year

Ideal for fire, EMS, and police vehicle applications

# Reflexite® V98 Chevron Marking Material

Conformable Microprismatic Sheeting

**Product benefits include:**

- High performance vinyl film
- Thin & flexible
- Weather resistant
- Maintains reflectivity after impact
- Conforms to vehicle shapes and curves
- **Compliance to NFPA 1901**



Product Code	Color Range	Sizes	Warranty
19716	Red	6" x 150' roll	5 year
19718	Fluorescent Lime	6" x 150' roll	3 year

Ideal for fire apparatus rear per NFPA 1901, EMS, police, and dump truck rear applications



# Reflexite® V82 Colors

Microprismatic Conspicuity Tape

**Product benefits include:**

- High performance polyester film
- Thin & flexible
- Weather resistant
- Maintains reflectivity after impact



Product Code	Color Range	Sizes	Warranty
Call for specifications	White, Yellow 18, Red, Green, Blue, Orange, Amber, Yellow 44	Master roll can be slit to a variety of widths (Master roll is 30" x 150')	10 year

Ideal for fire, EMS, and police vehicles

# Reflexite® V92 Daybright® Colors

Microprismatic Conspicuity Tape

**Product benefits include:**

- High performance polyester film
- Thin & flexible
- Weather resistant
- Maintains reflectivity after impact



Product Code	Color Range	Sizes	Warranty
18732	White	1" x 150' roll	5 year
18751	Yellow	1" x 150' roll	5 year
18709	Red	1" x 150' roll	5 year
18773	Green	1" x 150' roll	5 year
18762	Blue	1" x 150' roll	5 year
18824	Gold	1" x 150' roll	5 year
18828	Fluorescent Lime	1" x 150' roll	3 year
18841	Fluorescent Orange	1" x 150' roll	3 year
Call for specifications	White, Yellow, Red, Green, Blue, Orange, Gold, Fl Lime, Fl Orange	Master roll can be slit to a variety of widths (Master roll is 30" x 150')	5 year

Ideal for fire, EMS, police, tow trucks



# Reflexite® Marine Material

Microprismatic Conspicuity Material

**Product benefits include:**

- High performance polyester film
- Thin & flexible
- Weather resistant
- Maintains reflectivity after impact
- Long-Distance Visibility
- UV-stabilized
- SOLAS approved



Product Code	Color Range	Sizes	Warranty
18578	White - Rigid	2" x 150' roll	-
18055	White - Flexible	2" x 150' roll	-
D82	Call for details on ordering color rolls		

Ideal for rigid & flexible applications; dayboards, buoys, channel markers

# Reflexite® Helmet Patches

**Product benefits include:**

- Superior daytime visibility through 100% fluorescence
- Weather resistant
- Compliance with NFPA 1971, 2007 edition
- Adhesive protected by a silicone coated paper release liner
- Supplied with an aggressive, acrylic based, pressure sensitive adhesive



Product Code	Color Range	Sizes	Warranty
17724	Lime, NFPA -16/sheet	1" x 4" strip	-
17720	White - 16/sheet	1" x 4" strip	-
17681	Lime NFPA - 20/sheet	-	-
17678	White - 20/sheet	-	-

Ideal for application on all types of hard hats, including firefighter helmets in compliance with NFPA 1971

# Reflexite® American Flags

**Product benefits include:**

- High performance polyester film
- Thin & flexible
- Weather resistant
- Maintains reflectivity after impact



Product Code	Color Range	Sizes	Warranty
18376	Red, White, Blue	3.75" x 6.5"	-
18377	Red, White, Blue	7.75" x 14"	-

Ideal for trucks, trailers, recreational & other automotive applications

## High Visibility Workwear



**ANSI Compliant retroreflective trim for use on vests, rainwear, and other garments for the:**

- Roadway Construction Worker
- Utility Worker
- Survey Crew
- Railway Worker
- School Crossing Guard
- And much more

## Road Building/Work Zone Safety



**Available products:**

- Cone Collars
- Flexible Roll-Up Signs
- Post Band and Barrel Delineation
- Channelizing Devices
- Retroreflective Marking for Tubular Posts

## Fire Safety

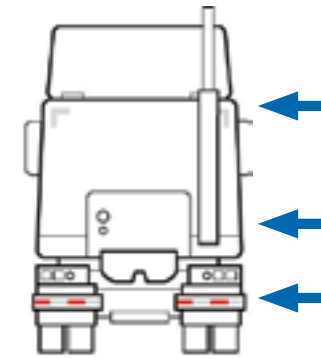


**Available products:**

- High Temp Retroreflective Fire Trim
- FTP 1500 Series Fire Trim (shown left)

## Heavy Duty Truck & Trailer Regulation FMVSS 108 (49CFR 571.108)

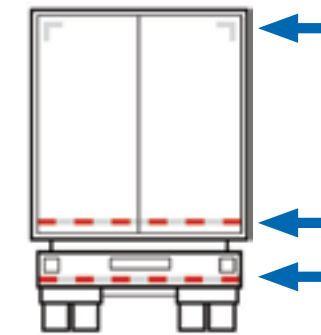
Conspicuity Tape is required on all new trailers manufactured after December 1, 1993. Alternating RED/ WHITE tape on the side and rear of each trailer.



### Application Locations:

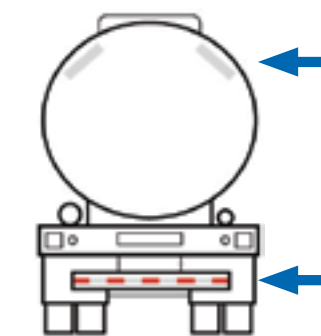
#### Rear Upper Body

- 12" WHITE strips placed in the upper rear corners



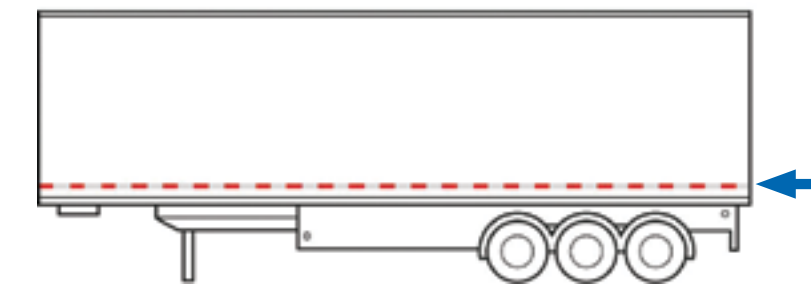
#### Rear Lower Body

- 2" wide RED/WHITE tape placed on rear full width of vehicle
- 2" wide RED/WHITE tape minimum 24" length on fender, mudflap brackets or within 12" below the top of mud flaps



#### Side Marking

- 2" wide RED/WHITE tape placed on each side of trailer continuous or evenly spaced over 50% of the vehicle



## School Bus Regulation – FMVSS 131 & FMVSS 217

Each opening for a required emergency exit shall be outlined around its outside perimeter with a retroreflective tape with a minimum width of 1 inch and either red, white, or yellow in color, that when tested under the conditions specified in S6.1 of Standard No. 131 (49 CFR 571.131), meets the criteria specified.

NOTE: Meets and exceeds the National Standards for School Buses, Federal Specifications, ASTM D4956-94, Type V, FMVSS 131 & FMVSS 217.



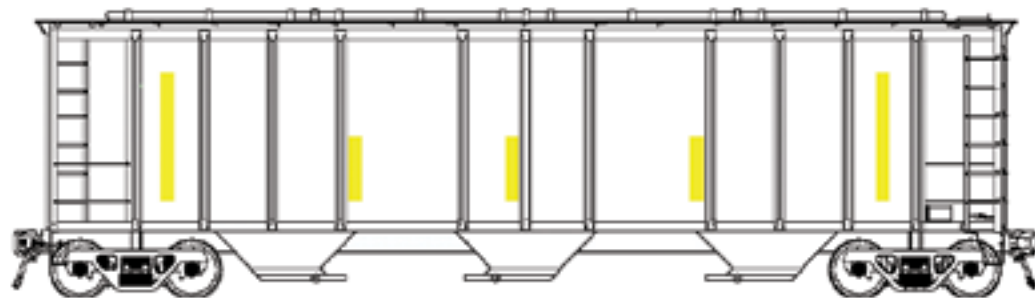
**Application locations:**

1. 1" strips used to mark side emergency exit windows
2. 1" strips used to mark back emergency exit windows

## Rail Regulation – FRA 224

Retroreflective sheeting applied pursuant to this part shall be yellow or white as specified by the chromaticity coordinates of ASTM International's Standard D 4956-04, "Standard Specification for Retroreflective Sheeting for Traffic Control."

NOTE: According to the Federal Railroad Administration, regulation part FRA 224.101, 103, 105 & 106.

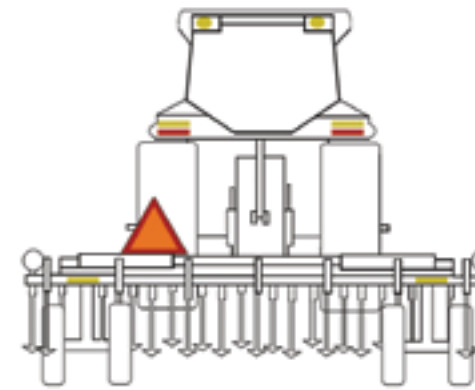


**Application locations:**

1. Retroreflective sheeting must be applied in strips 4" wide and 18" or 36" long
2. Material can be applied either vertically or horizontally on freight cars only

## Agricultural Regulation – ASAE S276.7, ASAE S279.15

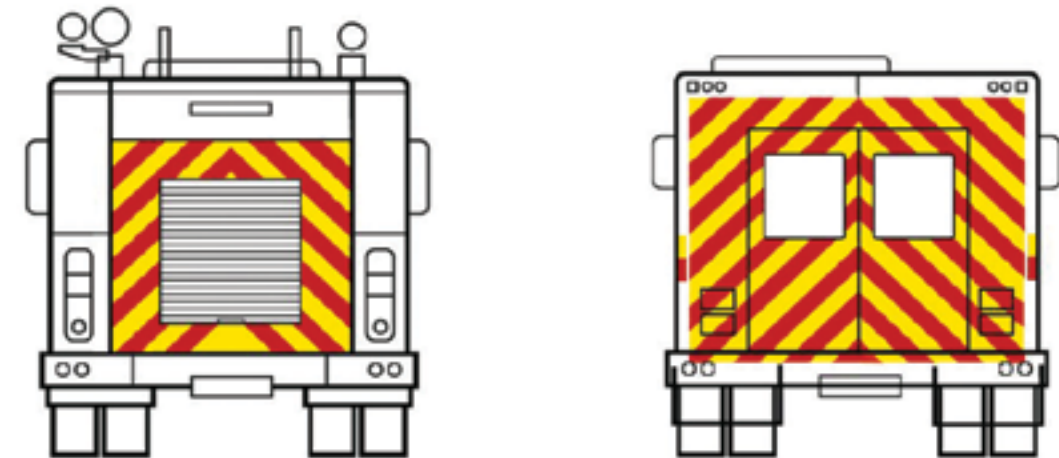
Retroreflective sheeting shall meet requirements of ASTM D4956 for type V sheeting except for the photometric requirements. Retroreflective sheeting shall meet the minimum photometric performance requirements specified in the spec. ASAE S276.7 and ASAE S279.15.



**Application locations:**

1. 2" x 9" Red retroreflective strip
2. Red 2" retroreflective strips surround the perimeter of the SMV triangle

## Fire Apparatus Regulation – NFPA 1901



**Benefits of application:**

1. Enhances the visibility of emergency response vehicles that work in or near moving traffic
2. Commands the attention of the motoring public more than horizontal stripes
3. The chevron pattern is an inverted "V", in compliance with the MUTCD (Manual On Uniform Traffic Control Devices)
4. More effectively warns oncoming motorists allowing more reaction time to maneuver



**We have offices in:**

Australia · Brazil · China · Canada · Denmark · France · Germany · Ireland · Italy · India · Japan · South Korea · Malaysia · South Africa · Taiwan · United States



**ORAFOL Reflective Solutions Americas**

120 Darling Drive  
Avon, CT 06001  
Toll Free Phone: 800-654-7570  
Toll Free Fax: 800-895-0951  
[www.orafol.com](http://www.orafol.com)

**ORAFOL Reflective Solutions Canada, Inc**

6790 Kitimat Road, Unit 18  
Mississauga, Ontario, L5N 5L9 Canada  
Phone: 905-821-3991  
Fax: 905-821-8330

**Engineered to Save Lives™**